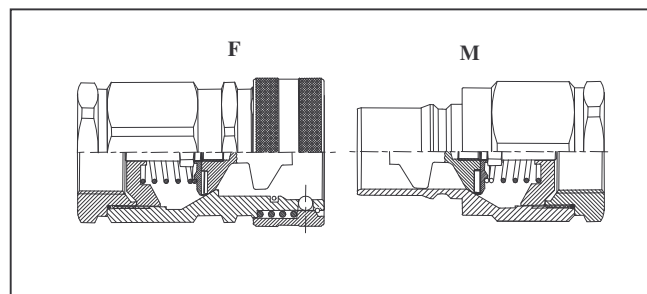
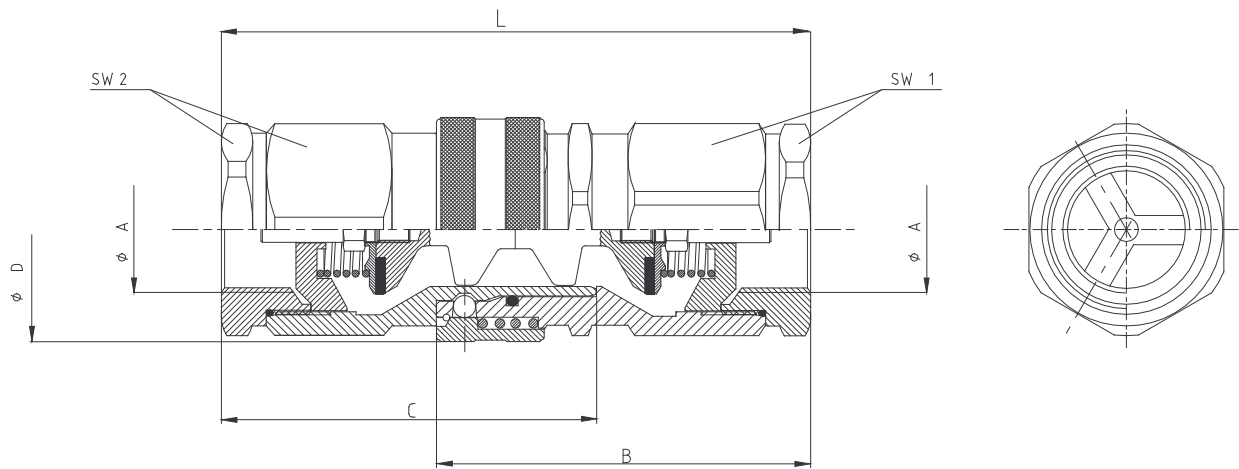


Innesti Rapidi a norma ISO B - grandi dimensioni: ISO 7241-1 "B" Quick Connect Couplings - big sizes:

Materiale: AISI 316 Standard
Material: 316 Stainless Steel Standard



ØA-xx inch	B mm.	C mm.	D mm.	L mm.	SW 1 mm.	SW 2 mm.	S mm ²	WP Bar	M Kg.
1" 1/4-30	126	126	75	198	65	65	865	140	3.70
1" 1/2-40	126	126	75	198	65	65	865	140	3.70
2"-50	142	142	105	222	90	90	1780	90	8.00